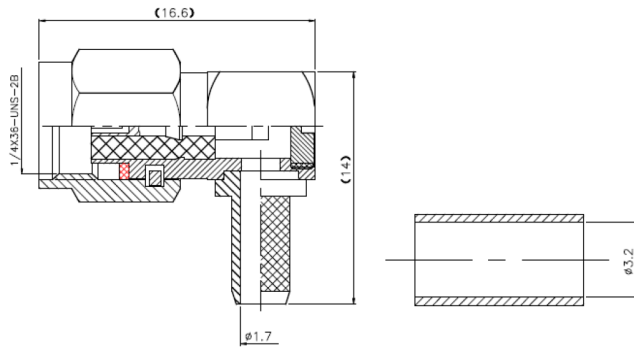


## SM-7963-13

SMA reverse polarity right-angle crimp connector  
For RG316/RG118 or RG174A/U miniature cables



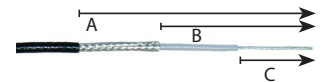
Interface	According to IEC 60169-15
Frequency range	DC - 12.4 GHz
VSWR	≤1.2:1 at DC-3 GHz
Impedance	50Ω (Ohms)
Dielectric withstanding voltage	≥1000V RMS, 50Hz, at sea level
Dielectric resistance	≥5000 MΩ
Contact resistance	Centre Contact - ≤3.0mΩ Outer Contact - ≤2.5mΩ
Durability	≥500 mating cycles
Interface retention force	≥60N
Temperature range	-40°C to +85°C
RoHS compliant	Yes
Compatible coaxial cables	<b>SKU: 7877-500</b> : RG174A/U - MIL-SPEC miniature, stranded core, solid PE dielectric <b>SKU: 7853-2</b> : RG316 - solid core, solid PTFE dielectric, black UV stabilised jacket

### Strip dimensions

Outer: 12.6mm - A

Braid: 5.8mm - B

Dielectric: 2.5mm - C



Construction	
Body	Gold plated brass
Insulator	PTFE (teflon)
Centre contact	Gold plated phosphor copper
Outer contact	Gold plated brass
Sealing cap	Gold plated brass
Ferrule	Nickel plated annealed copper
Gasket	Silicon rubber



RG316  
SKU: 7823-2  
300m roll



RG174A/U  
SKU: 7877-500  
500m roll